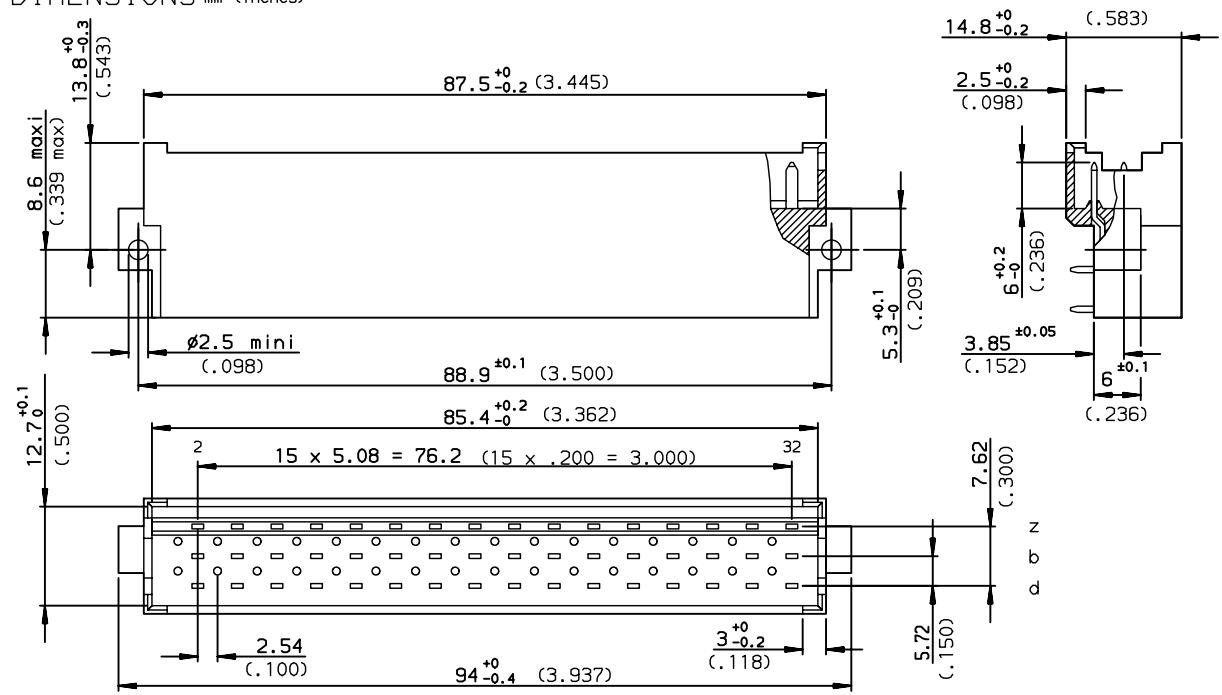


DIMENSIONS mm (inches)



ELECTRICAL DATA

- Current at AMB. 5.5 A at 20° / 4 A at 70°
- Contact resistance <math><15m\Omega</math> according to DIN 41640 Teil 4 test 2a
- Insulation resistance >math>10 M\Omega</math> according to DIN 41640 teil 7 test 3a
- TEST VOLTAGE according to DIN 41640 teil 21
- contact/contact 1550V eff
- contact/ground 2500V eff

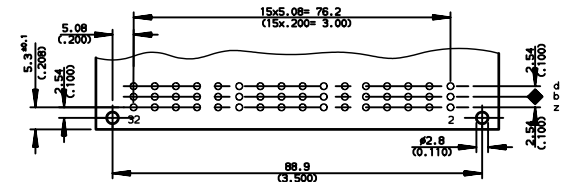
MECHANICAL DATA

- Insertion force <math><75N</math>
- Mechanical endurance --class 1 500 matings unmatings according to DIN41640 teil 21
- class 2 400 matings unmatings according to DIN41640 teil 21
- Material insulator Polyester UL94V0
- Material contacts Bronze
- Finishing contact surface Gold over nickel Lead Free
- Finishing termination Lead-Free
- Shock <math><30ma</math> according to DIN 41640 Teil 14 test 6c
- Vibration --class 1 10-2000Hz/20g according to DIN 41640 Teil 15
- class 2 10-500Hz/5g according to DIN 41640 Teil 15

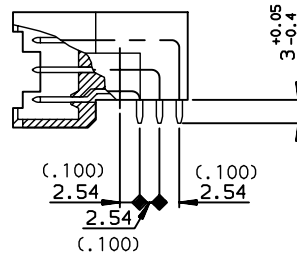
ENVIRONMENTAL DATA

- Climatic category According to DIN 41612
- Corrosion According to DIN 41612

P.C. CARD DRILLING (scale 1.2)



TERMINATION



NOTE RoHS INFORMATION

- The "LF" products meet European Union Directives and other country regulations as described in 65-22-006.
- The housing will withstand exposure to 260°C peak temperature for 3.5 seconds in a wave solder application with a 1.6mm minimum thick circuit board.
- For the right angled versions, it's recommended to use high temperature adhesive or metallic device, to protect the nearest plastic part in contact with of the solder wave, to avoid any visual plastic deterioration.

PART NUMBER		5159009		6		4		LF	
NUMBER OF CONTACTS 32 or 48									
TERMINATION									
Angled splices		_____							
Right angled press-fit		_____							
PERFORMANCE CLASS									
DIN 41612 class 2		_____							
DIN 41612 class 1		_____							
CONTACT ARRANGEMENT									
Row z, b and d with contacts (48)		_____ 111							
Row z and d with contacts (32)		_____ 101							
Row z and b with contacts (32)		_____ 110							
LEAD-FREE									

www.fciconnect.com		surface ISO 1302 <input checked="" type="checkbox"/>		tolerance std ISO 406 ISO 1101		projection 		mm 	
TOLERANCES UNLESS OTHERWISE SPECIFIED									
ANGULAR		LINEAR		0.X \pm 0.1		size A3		Scale 1.5	
0.XX \pm 2°		0.XXX \pm 0.1				ECN L507-0288			
Appr		DIN POWER		Product family		Spec ref -			
FCj		title PLUGS MEDIUM POWER						Rev.	
		3 ROW STYLE F						F	
catalog no		-		-		dwg no C01-5159-0037		CUSTOMER sheet 1 of 1	

rev	ecn no	dr	date
C	LS05-0119	ET1	2005/12/13
D	LS06-0022	LGO	2006/02/21
E	LS06-0095	LGO	2006/06/26
F	LS07-0288	LGO	2007/11/19
-	-	-	-
-	-	-	-

Copyright FCj